

PARTS CATALOG

Card Reader Attachment-C1

Canon

Mar 17 2004

PREFACE

This Parts Catalog contains listings of parts used

Diagrams are provided with the listings to aid the service technician in identifying clearly, the item to be ordered.

Whenever ordering parts, consult this Parts Catalog for all of the information pertaining to each item. Be sure to include, in the Parts Request, the full item description, the item part number, and the quantity.

COPYRIGHT (C) 1999 CANON INC.

Use of this manual should be strictly supervised to avoid disclosure of confidential information.

Contents

Parts List Index

Card Reader Attachment-C1 1-1

Card Reader Attachment-C1

E10 CARD READER MOUNTING HARDWARE 2-1

NUMERICAL INDEX

Card Reader Attachment-C1

| PARTS NUMBER | FIGURE & KEY NO. | PARTS NUMBER | FIGURE & KEY NO. | PARTS NUMBER | FIGURE & KEY NO |
|--------------|------------------------|--------------|------------------------|--------------|-----------------------|
| FC5-6643-000 | E10 - 1 | | | | |
| NPN | E10 - | | | | |
| XB3-6401-005 | E10 - 501 | | | | |

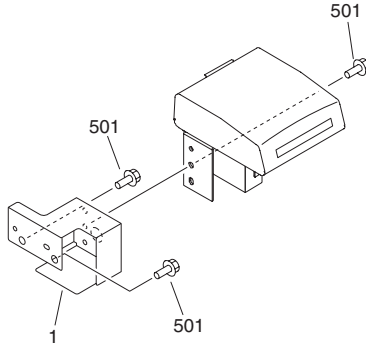
Card Reader Attachment-C1

F25-9406-000

Contents

| | | |
|-----|-------------------------------------|-----|
| E10 | CARD READER MOUNTING HARDWARE | 2-1 |
|-----|-------------------------------------|-----|

FIGURE E10 CARD READER MOUNTING HARDWARE



| FIGURE & KEY NO. | PARTS NUMBER | R A N K | QTY | DESCRIPTION | SERIAL NUMBER/ REMARKS | S V C |
|------------------|--------------|------------------|-----|-------------------------------|---------------------------|-------------|
| Fig.E10 | NPN | | RF | CARD READER MOUNTING HARDWARE | | |
| 1 | FC5-6643-000 | | 1 | MOUNT, CARD READER | | |
| 501 | XB3-6401-005 | | AR | SCREW,RS,M4X10 | | |

Prepared by
OFFICE IMAGING PRODUCTS QUALITY ASSURANCE CENTER
CANON INC.

Canon